

20 MM (3/4")

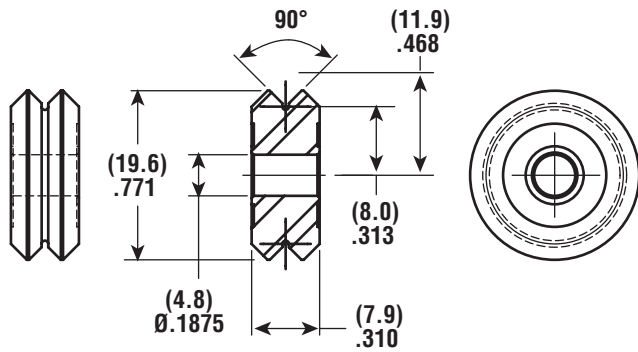
Rated for:

Radial loads to 283 lbs. (1,260 N) per wheel

Axial loads to 67 lbs. (297 N) per wheel

V-GUIDE WHEELS

VW1	Shielded Bearing
VWS1	Sealed Bearing
VWSS1	Sealed Stainless Bearing



WEIGHT: .42 oz. (12 g)

30 MM (1-1/4")

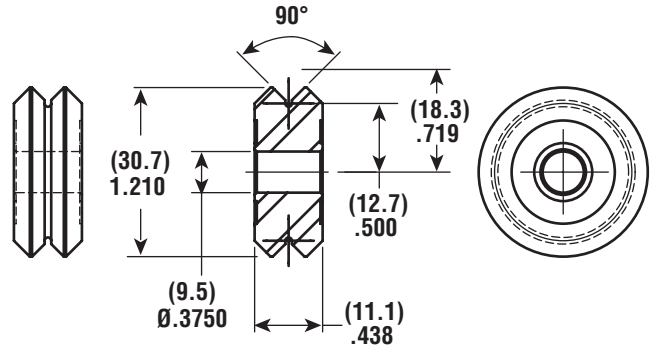
Rated for:

Radial loads to 614 lbs. (2,730 N) per wheel

Axial loads to 142 lbs. (632 N) per wheel

V-GUIDE WHEELS

VW2	Shielded Bearing
VWS2	Sealed Bearing
VWSS2	Sealed Stainless Bearing



WEIGHT: 1.41 oz. (40 g)

45 MM (1-3/4")

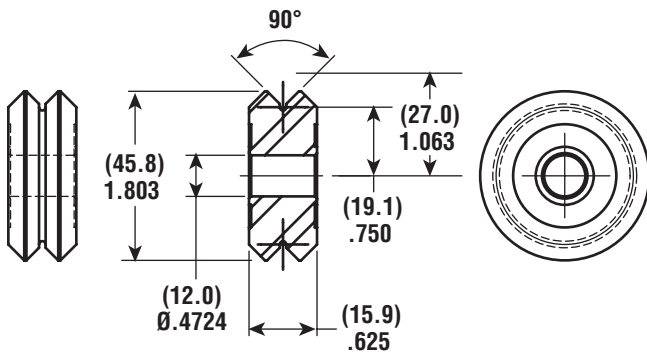
Rated for:

Radial loads to 1,386 lbs. (6,166 N) per wheel

Axial loads to 326 lbs. (1,448 N) per wheel

V-GUIDE WHEELS

VW3	Shielded Bearing
VWS3	Sealed Bearing
VWSS3	Sealed Stainless Bearing



WEIGHT: 4.79 oz. (136 g)

60 MM (2-1/4")

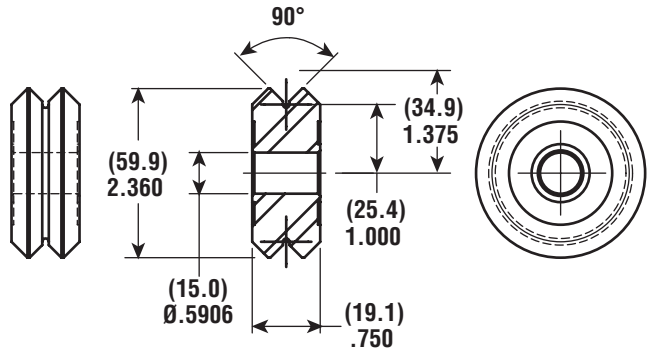
Rated for:

Radial loads to 2,246 lbs. (9,991 N) per wheel

Axial loads to 520 lbs. (2,313 N) per wheel

V-GUIDE WHEELS

VW4	Shielded Bearing
VWS4	Sealed Bearing
VWSS4	Sealed Stainless Bearing



WEIGHT: 10 oz. (285 g)